

FEATURES

- ▶ Fully Encapsulated Plastic Case for Chassis and DIN-Rail Mounting Version
- ▶ Ultra-wide 4:1 Input Voltage Range
- ▶ Fully Regulated Output Voltage
- ▶ Excellent Efficiency up to 91%
- ▶ I/O Isolation 2500 VDC
- ▶ Operating Ambient Temp. Range -40°C to +90°C
- ▶ Overload /Voltage and Short Circuit Protection
- ▶ Remote On/Off Control
- ▶ Designed-in Conducted EMI meet EN55032 Class A & FCC Level A
- ▶ Designed-in EMC Immunity meet EN61000-4-2,3,4,5,6,8
- ▶ UL/cUL/IEC/EN 60950-1 Safety Approval & CE Marking



PRODUCT OVERVIEW

The MINMAX MOWI20C series is a new range of regulated DC/DC converter modules with ultra-wide 4:1 input voltage ranges. The product comes in a fully encapsulated module with screw terminal block and is suitable for easy chassis mounting or also for DIN-rail mounting.

Featuring an extended operating temperature range from -40°C to +90°C, EMC compliance to EN 61000-6-1 standard these modules have been designed particularly for industrial applications.

Model Selection Guide

Model Number	Input Voltage (Range)	Output Voltage	Output Current		Input Current		Max. capacitive Load	Efficiency (typ.)
			Max.		@ Max. Load	@ No Load		
			mA		mA(typ.)	mA(typ.)		
MOWI20-24S051C	24 (9 ~ 36)	5.1	4000		944	70	6800	90
MOWI20-24S12C		12	1670		918	70	1160	91
MOWI20-24S24C		24	835		918	70	300	91
MOWI20-24S48C		48	420		944	70	75	89
MOWI20-48S051C	48 (18 ~ 75)	5.1	4000		472	35	6800	90
MOWI20-48S12C		12	1670		459	35	1160	91
MOWI20-48S24C		24	835		459	35	300	91
MOWI20-48S48C		48	420		472	35	75	89

Input Specifications

Parameter	Conditions / Model	Min.	Typ.	Max.	Unit
Input Surge Voltage (100 ms max.)	24V Input Models	-0.7	---	50	VDC
	48V Input Models	-0.7	---	100	
Start-Up Threshold Voltage	24V Input Models	---	---	9	
	48V Input Models	---	---	18	
Under Voltage Shutdown	24V Input Models	---	7.5	---	
	48V Input Models	---	16	---	
Start Up Time	Power Up	---	---	30	ms
	Remote On/Off	Nominal Vin and Constant Resistive Load		30	ms
Input Filter	All Models	Internal Pi Type			

Remote On/Off Control

Parameter	Conditions	Min.	Typ.	Max.	Unit
Converter On	3.5V ~ 12V or Open Circuit				
Converter Off	0V ~ 1.2V or Short Circuit				
Control Input Current (On)	Vctrl = 5.0V	---	---	0.5	mA
Control Input Current (Off)	Vctrl = 0V	---	---	-0.5	mA
Control Common	Referenced to Negative Input				
Standby Input Current	Supply Off & Nominal Vin	---	3	---	mA

Output Specifications

Parameter	Conditions / Model	Min.	Typ.	Max.	Unit	
Output Voltage Setting Accuracy		---	±2.0	---	%Vnom.	
Line Regulation	Vin=Min. to Max. @Full Load	---	±0.5	---	%	
Load Regulation	Io=0% to 100%	---	±0.5	---	%	
Minimum Load	No minimum Load Requirement					
Ripple & Noise	0-20MHz Bandwidth	5.1V Output Models	---	---	100	mV _{P-P}
		12V & 24V Output Models	---	---	150	mV _{P-P}
		48V Output Models	---	---	200	mV _{P-P}
Transient Recovery Time	25% Load Step Change ₍₂₎	---	250	---	µsec	
Transient Response Deviation		---	±3	±5	%	
Over Voltage Protection	Zener diode clamp	---	120	---	% of Vo	
Temperature Coefficient		---	±0.02	---	%/°C	
Over Load Protection	Hiccup	---	150	---	%	
Short Circuit Protection	Hiccup Mode 0.25 Hz typ., Automatic Recovery					

General Specifications

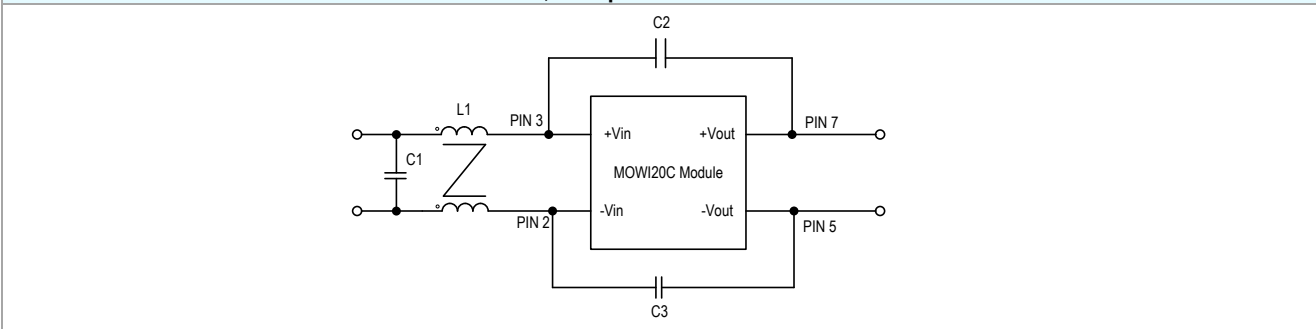
Parameter	Conditions	Min.	Typ.	Max.	Unit
I/O Isolation Voltage	60 Seconds	2500	---	---	VDC
I/O Isolation Resistance	500 VDC	1000	---	---	MΩ
I/O Isolation Capacitance	100KHz, 1V	---	---	2200	pF
Switching Frequency		---	285	---	KHz
MTBF (calculated)	MIL-HDBK-217F@25°C, Ground Benign	775,200			Hours
Safety Approvals	UL/cUL 60950-1 recognition(UL certificate), IEC/EN 60950-1(CB-report)				

Environmental Specifications

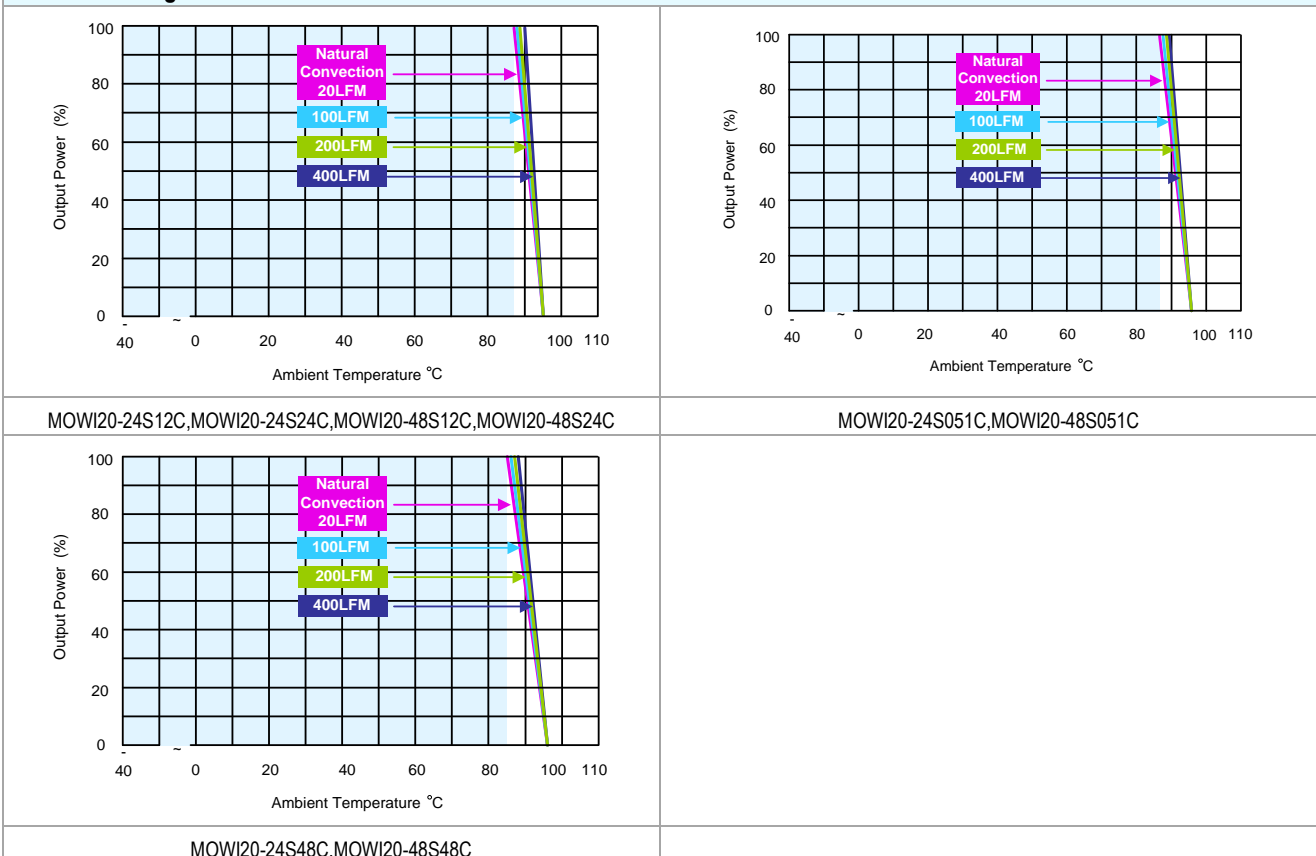
Parameter	Conditions / Model	Min.	Max.	Unit
Operating Ambient Temperature Range Natural Convection ⁽⁶⁾ Nominal Vin, Load 100% Inom. (for Power Derating see relative Derating Curves)	MOWI20-24S12C,24S24C	-40	+87	°C
	MOWI20-48S12C,48S24C			
	MOWI20-24S051C,48S051C		+86	
	MOWI20-24S48C,48S48C		+85	
Thermal Impedance	Natural Convection	3.9	---	°C/W
	100LFM Convection	3.3	---	°C/W
	200LFM Convection	3.1	---	°C/W
	400LFM Convection	2.5	---	°C/W
Case Temperature		---	+95	°C
Storage Temperature Range		-50	+125	°C
Humidity (non condensing)		---	95	% rel. H
Cooling	Natural Convection			

EMC Specifications

Parameter	Standards & Level		Performance
EMI	EMI Conducted Class A without adding any external components	EN55032, FCC part 15	Class A
	EMI Radiated Class A external components		
EMS	EN55024		
	ESD	EN61000-4-2 Air $\pm 8kV$, Contact $\pm 4kV$	A
	Radiated immunity	EN61000-4-3 10V/m	A
	Fast transient	EN61000-4-4 $\pm 2kV$	A
	Surge	EN61000-4-5 $\pm 2kV$	A
	Conducted immunity	EN61000-4-6 10Vrms	A
	PFMF	EN61000-4-8 30A/M	A

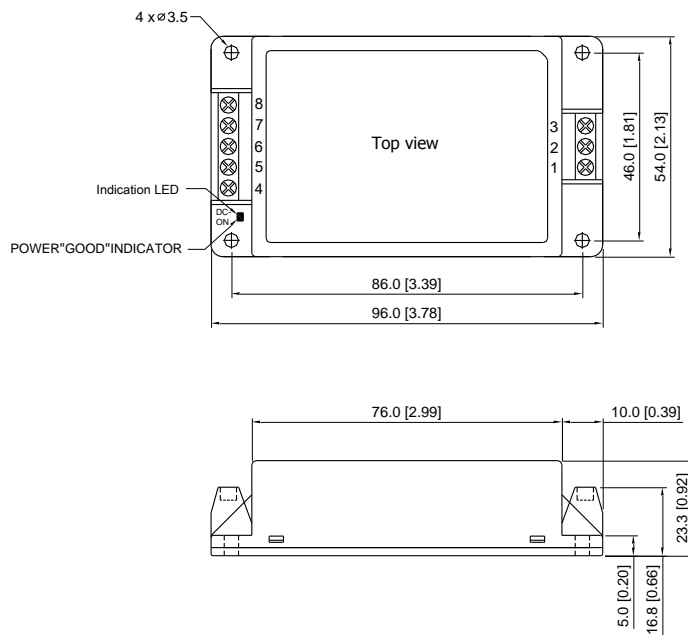
External Filter meets Radiated EMI EN55032 class A; FCC part 15 level A


Model	L1	C1	C2	C3
MOWI20-24SXXC	120 μ H/120 μ H	4.7 μ F/50V	None	220pF
MOWI20-48SXXC	120 μ H/120 μ H	3.3 μ F/100V	220pF	220pF

Power Derating Curve


Notes

- 1 Specifications typical at Ta=+25°C, resistive load, nominal input voltage and rated output current unless otherwise noted.
- 2 Transient recovery time is measured to within 1% error band for a step change in output load of 75% to 100%.
- 3 We recommend to protect the converter by a slow blow fuse in the input supply line.
- 4 Other input and output voltage may be available, please contact factory.
- 5 That "natural convection" is about 20LFM but is not equal to still air (0 LFM)
- 6 Specifications are subject to change without notice.

Package Specifications Chassis Mounting
Mechanical Dimensions

Connections

Pin	Function
1	Remote On/Off
2	-Vin
3	+Vin
4	NC
5	-Vout
6	NC
7	+Vout
8	NC

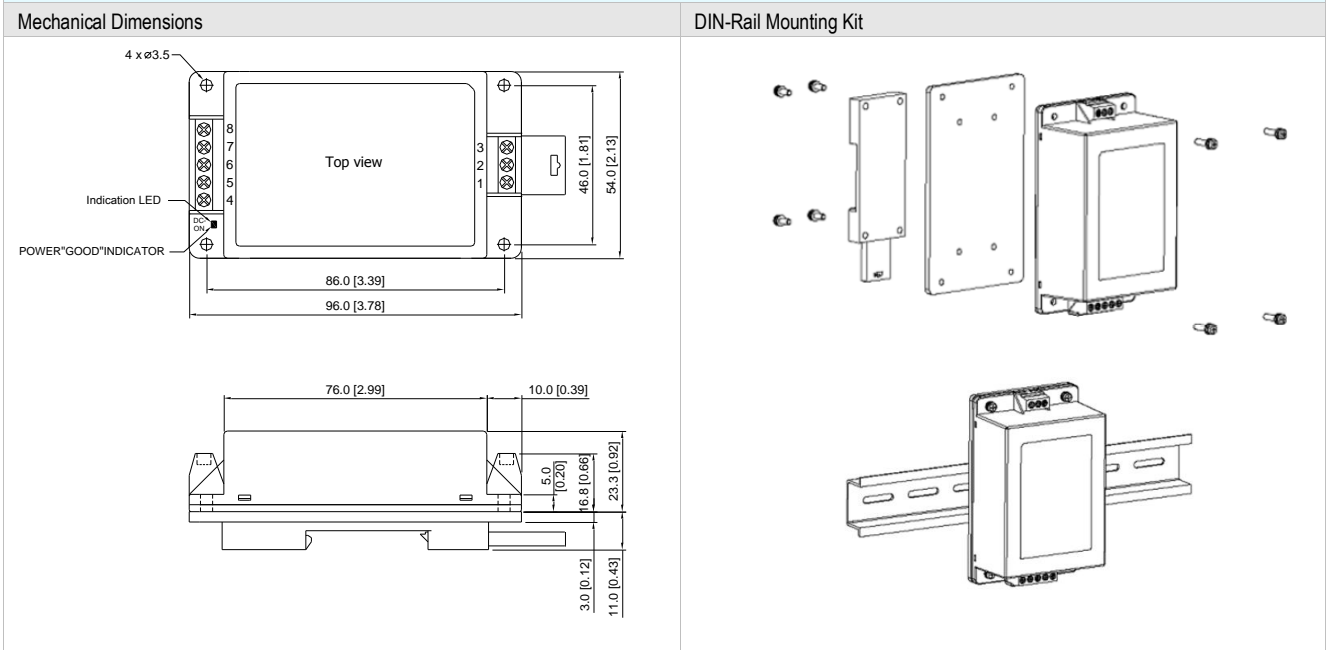
NC: No Connection

- ▶ All dimensions in mm (inches)
- ▶ Tolerance: ± 0.5 (± 0.02)

Physical Characteristics

Case Size	: 96.0x54.0x23.3mm (3.78x2.13x0.92 inches)
Case Material	: Plastic resin (flammability to UL 94V-0 rated)
Weight	: 107g

Package Specifications with DIN Rail Mounting Bracket (order code AC-DIN-01)



Physical Characteristics

Case Size	: 96.0x54.0x23.3mm (3.78x2.13x0.92 inches)
Case Material	: Plastic resin (flammability to UL 94V-0 rated)
Weight	: 166g

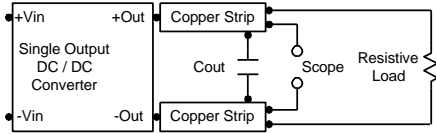
Order Code Table

Standard	DIN Rail	Converter with DIN Rail Mounting
MOWI20-24S051C	AC-DIN-01	MOWI20-24S051C-DIN01
MOWI20-24S12C	AC-DIN-01	MOWI20-24S12C-DIN01
MOWI20-24S24C	AC-DIN-01	MOWI20-24S24C-DIN01
MOWI20-24S48C	AC-DIN-01	MOWI20-24S48C-DIN01
MOWI20-48S051C	AC-DIN-01	MOWI20-48S051C-DIN01
MOWI20-48S12C	AC-DIN-01	MOWI20-48S12C-DIN01
MOWI20-48S24C	AC-DIN-01	MOWI20-48S24C-DIN01
MOWI20-48S48C	AC-DIN-01	MOWI20-48S48C-DIN01

Test Setup

Peak-to-Peak Output Noise Measurement Test

Scope measurement should be made by using a BNC socket, measurement bandwidth is 0-20 MHz. Position the load between 50 mm and 75 mm from the DC/DC Converter.



Technical Notes

Remote On/Off

Positive logic remote on/off turns the module on during a logic high voltage on the remote on/off pin, and off during a logic low. To turn the power module on and off, the user must supply a switch to control the voltage between the on/off terminal and the -Vin terminal. The switch can be an open collector or equivalent. A logic low is 0V to 1.2V. A logic high is 3.5V to 12V. The maximum sink current at the on/off terminal (Pin 1) during a logic low is -100 μ A.

Overload Protection

To provide hiccup mode protection in a fault (output overload) condition, the unit is equipped with internal current limiting circuitry and can endure overload for an unlimited duration.

Overvoltage Protection

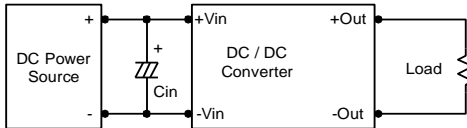
The output overvoltage clamp consists of control circuitry, which is independent of the primary regulation loop, that monitors the voltage on the output terminals. The control loop of the clamp has a higher voltage set point than the primary loop. This provides a redundant voltage control that reduces the risk of output overvoltage. The OVP level can be found in the output data.

Input Source Impedance

The power module should be connected to a low ac-impedance input source. Highly inductive source impedances can affect the stability of the power module.

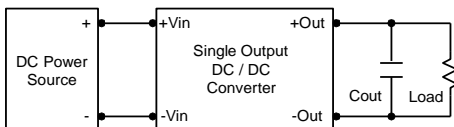
In applications where power is supplied over long lines and output loading is high, it may be necessary to use a capacitor at the input to ensure startup.

Capacitor mounted close to the power module helps ensure stability of the unit, it is recommended to use a good quality low Equivalent Series Resistance (ESR < 1.0 Ω at 100 KHz) capacitor of a 10 μ F for the 24V and 48V devices.



Output Ripple Reduction

A good quality low ESR capacitor placed as close as practicable across the load will give the best ripple and noise performance. To reduce output ripple, it is recommended to use 4.7 μ F capacitors at the output.



Maximum Capacitive Load

The MOWI20C series has limitation of maximum connected capacitance at the output. The power module may be operated in current limiting mode during start-up, affecting the ramp-up and the startup time. The maximum capacitance can be found in the data sheet.

Thermal Considerations

Many conditions affect the thermal performance of the power module, such as orientation, airflow over the module and board spacing. To avoid exceeding the maximum temperature rating of the components inside the power module, the case temperature must be kept below 95°C. The derating curves are determined from measurements obtained in a test setup.

