



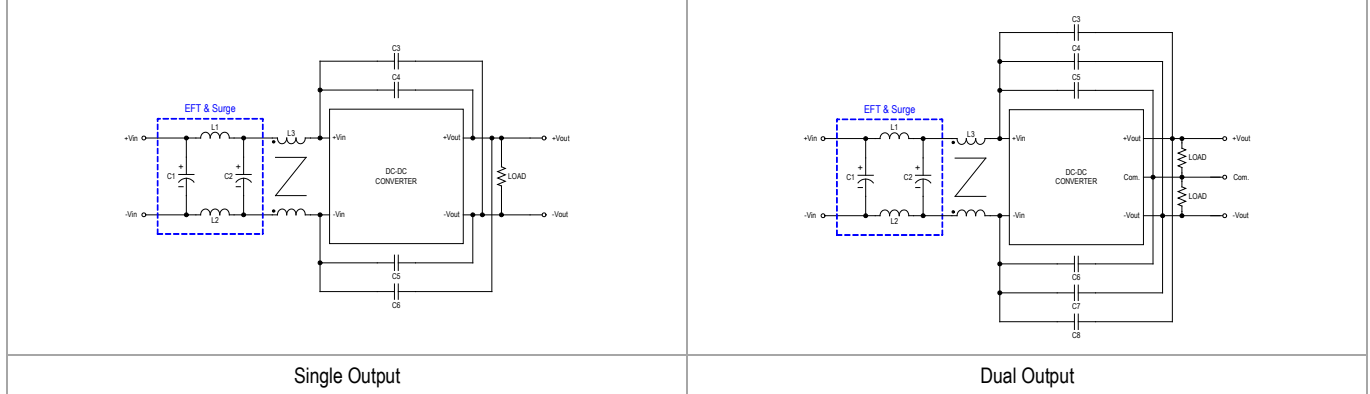
MINMAX[®]

MDWI15 Series - EMC Notes

MDWI15 Series - EMC Notes

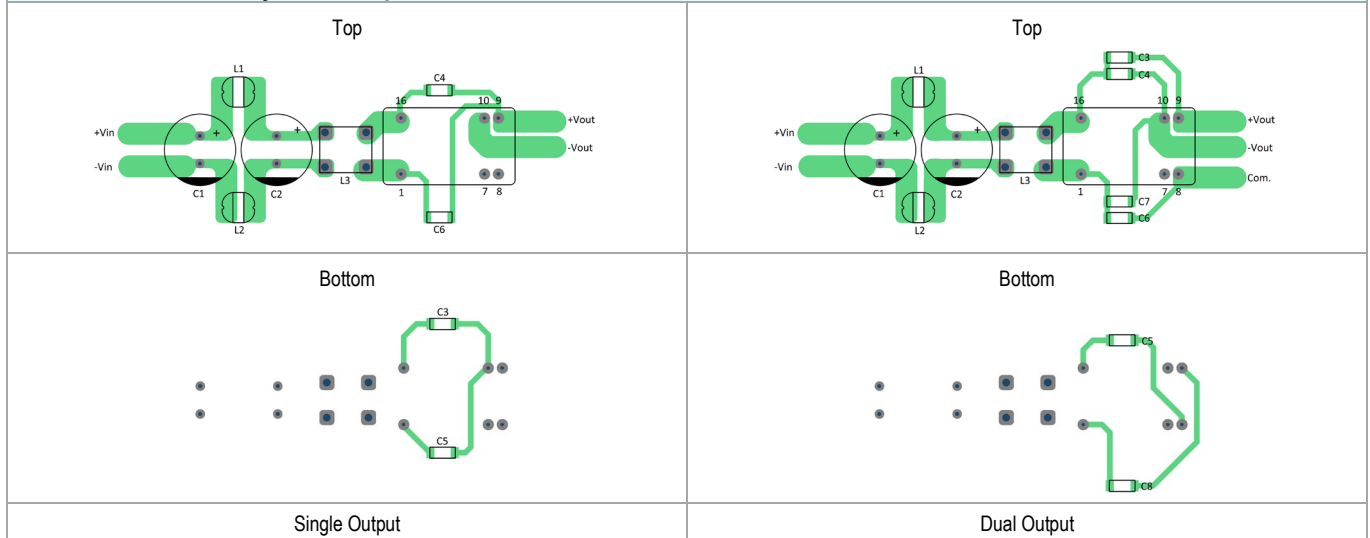
MDWI15 Series meet EN 55032 Conducted Emissions Class A without external components.

External Filter meets Total solution (for EFT & Surge & Radiation) EN 55032, class A



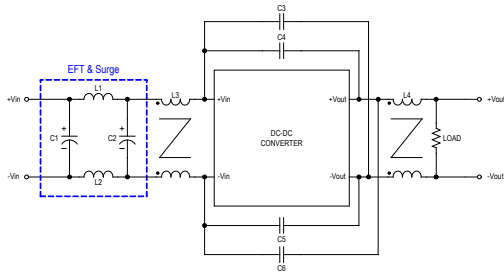
Model	C1, C2	L1, L2	L3	C3	C4	C5	C6	C7	C8
MDWI15-24SXX	470µF/50V CHEMI-CON KY Series	10µH/2.2A/ 78mΩ 74477410	---	---	1000pF/2kV 1808 X7R	1000pF/2kV 1808 X7R	---	---	---
MDWI15-24D12	470µF/50V CHEMI-CON KY Series	10µH/2.2A/ 78mΩ 74477410	---	---	---	1000pF/2kV 1808 X7R	---	---	1000pF/2kV 1808 X7R
MDWI15-24D15	470µF/50V CHEMI-CON KY Series	10µH/2.2A/ 78mΩ 74477410	---	---	1000pF/2kV 1808 X7R	---	---	---	1000pF/2kV 1808 X7R
MDWI15-48SXX	220µF/100V CHEMI-CON KY Series	10µH/2.2A/ 78mΩ 74477410	744273222	1000pF/2kV 1808 X7R	680pF/2kV 1808 X7R	1000pF/2kV 1808 X7R	680pF/2kV 1808 X7R	---	---
MDWI15-48DXX	220µF/100V CHEMI-CON KY Series	10µH/2.2A/ 78mΩ 74477410	744273222	1500pF/2kV 1808 X7R	1500pF/2kV 1808 X7R	1800pF/2kV 1808 X7R	1800pF/2kV 1808 X7R	1500pF/2kV 1808 X7R	1500pF/2kV 1808 X7R

Recommended PCB Layout with Input Filter

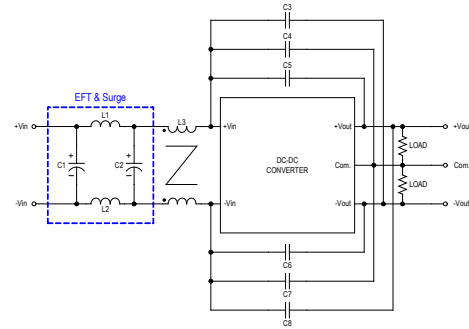


MDWI15 Series - EMC Notes

External Filter meets Total solution (for EFT & Surge & EMI) EN 55032, class B



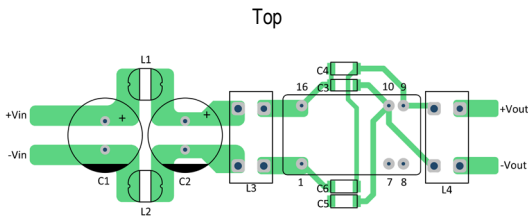
Single Output



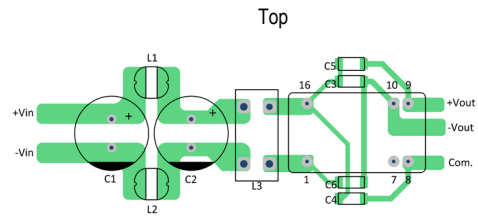
Dual Output

Model	C1, C2	L1, L2	L3	C3	C4	C5	C6	C7, C8	L4
MDWI15-24SXX	470µF/50V CHEMI-CON KY Series	10µH/2.2A/ 78mΩ 74477410	744841414	1200pF/2kV 1808 X7R	330pF/2kV 1808 X7R	1000pF/2kV 1808 X7R	680pF/2kV 1808 X7R	---	---
MDWI15-24DXX	470µF/50V CHEMI-CON KY Series	10µH/2.2A/ 78mΩ 74477410	744841414	1000pF/2kV 1808 X7R	1000pF/2kV 1808 X7R	1000pF/2kV 1808 X7R	1000pF/2kV 1808 X7R	---	---

Recommended PCB Layout with Input Filter



Single Output

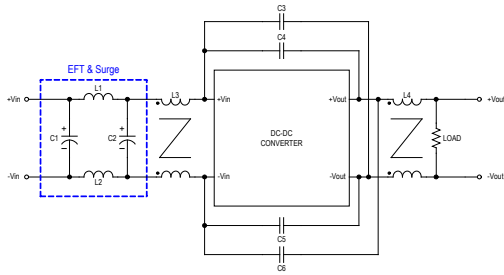


Bottom

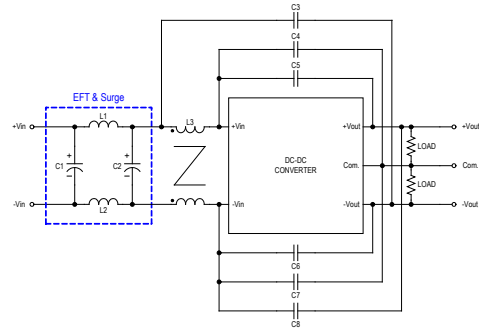
Dual Output

MDWI15 Series - EMC Notes

External Filter meets Total solution (for EFT & Surge & EMI) EN 55032, class B



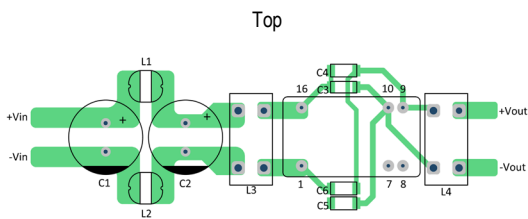
Single Output



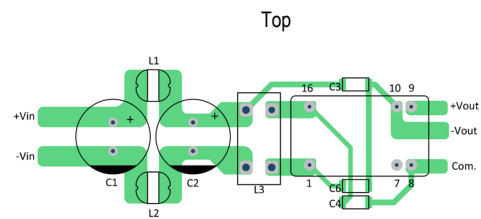
Dual Output

Model	C1, C2	L1, L2	L3	C3	C4	C5	C6	C7	C8	L4
MDWI15-48S051	220µF/100V CHEMI-CON KY Series	15µH/1.53A/ 89mΩ 744774115	810- ACM121110 22PLTL1	1000pF/2kV 1808 X7R	680pF/2kV 1808 X7R	1500pF/2kV 1808 X7R	1000pF/2kV 1808 X7R	---	---	---
MDWI15-48S12 MDWI15-48S15 MDWI15-48S24	220µF/100V CHEMI-CON KY Series	10µH/2.2A/ 78mΩ 74477410	744273222	---	680pF/2kV 1808 X7R	680pF/2kV 1808 X7R	---	---	---	744273222
MDWI15-48DXX	220µF/100V CHEMI-CON KY Series	10µH/2.2A/ 78mΩ 74477410	744273222	680pF/2kV 1808 X7R	1000pF/2kV 1808 X7R	2200pF/2kV 1808 X7R	1500pF/2kV 1808 X7R	1200pF/2kV 1808 X7R	1500pF/2kV 1808 X7R	---

Recommended PCB Layout with Input Filter



Single Output



Bottom

Dual Output