

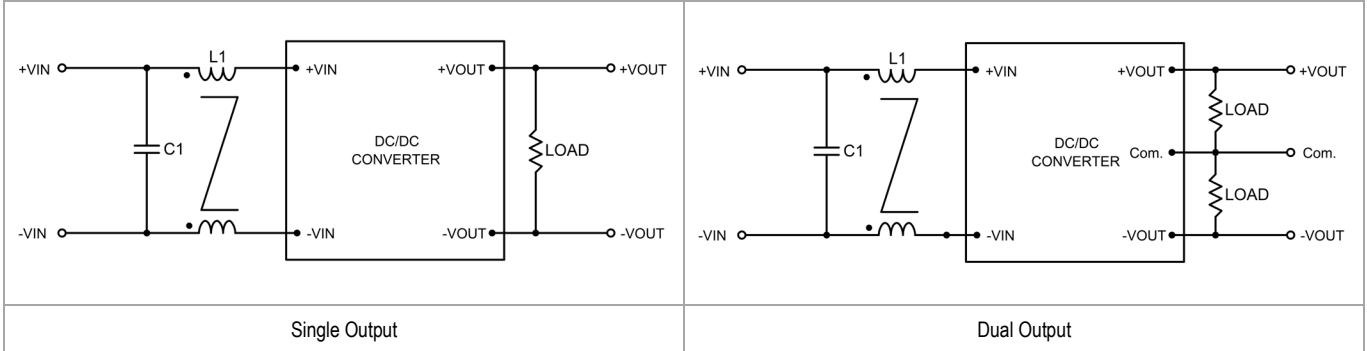


MINMAX[®]

MIW03M Series - EMC Notes

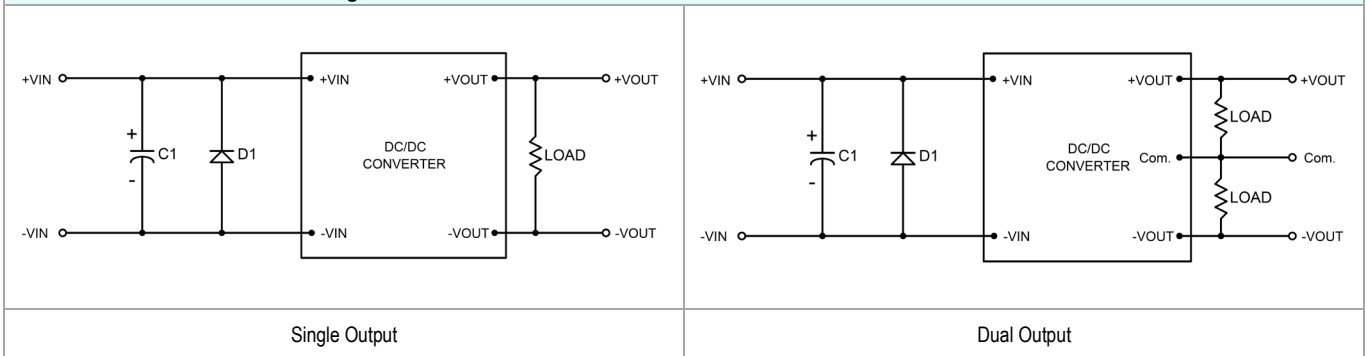
MIW03M Series - EMC Notes

External Filter meets Radiated EMI EN 55011, class A ; FCC part 15 ,level A



Model	Radiated Class A	
	C1	L1
MIW03-05XXXM MIW03-12XXXM	47 μ F/25V 1206 X5R	0.4mH/4.5A, 7448014501
MIW03-24XXXM	10 μ F/50V 1206 X5R	
MIW03-48XXXM	2.2 μ F/100V 1206 X7R	

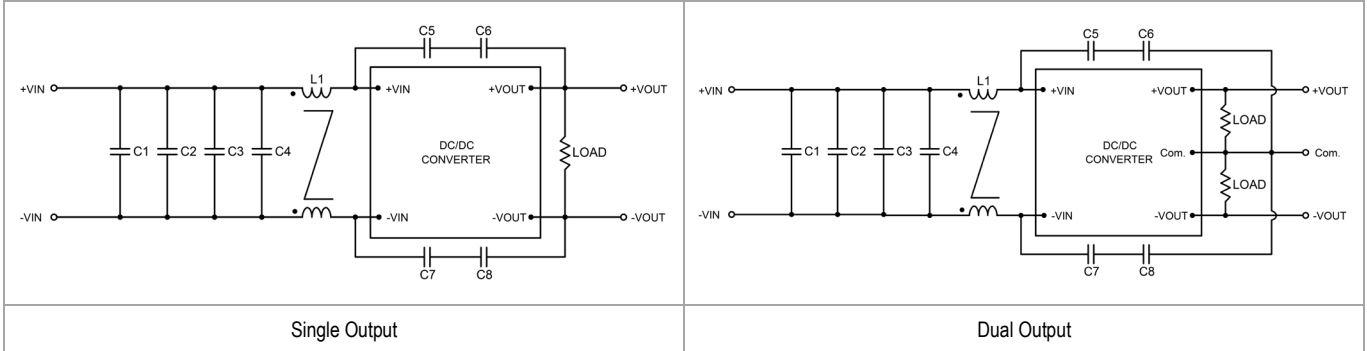
External Filter meets EFT & Surge



Model	EFT & Surge	
	C1	D1
MIW03-05XXXM	1000 μ F/35V CHEMI-CON KY Series	V10P45
MIW03-12XXXM	560 μ F/50V CHEMI-CON KY Series	
MIW03-24XXXM	470 μ F/50V CHEMI-CON KY Series	---
MIW03-48XXXM	330 μ F/100V CHEMI-CON KY Series	

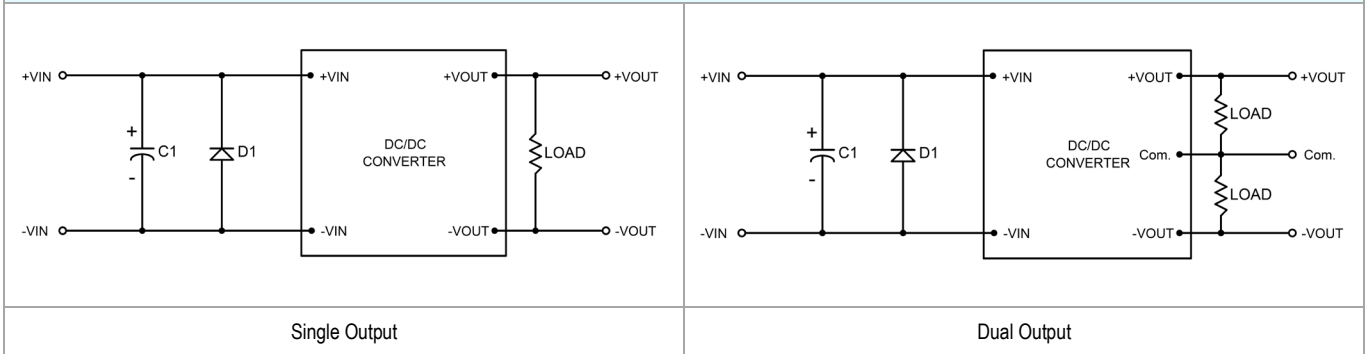
MIW03M Series - EMC Notes

External Filter meets Conducted EMI EN 55011, class B ; FCC part 15 ,level B



Model	Conducted Class B		
	C1, C2, C3, C4	L1	C5, C6, C7, C8
MIW03M Series	3.3 μ F/100V 1210 X7R	0.4mH/4.5A 7448014501	1000pF/ Y1 Cap.

External Filter meets EFT & Surge



Model	EFT & Surge	
	C1	D1
MIW03-05XXXM	1000 μ F/35V CHEMI-CON KY Series	V10P45
MIW03-12XXXM	560 μ F/50V CHEMI-CON KY Series	-----
MIW03-24XXXM	470 μ F/50V CHEMI-CON KY Series	
MIW03-48XXXM	330 μ F/100V CHEMI-CON KY Series	