

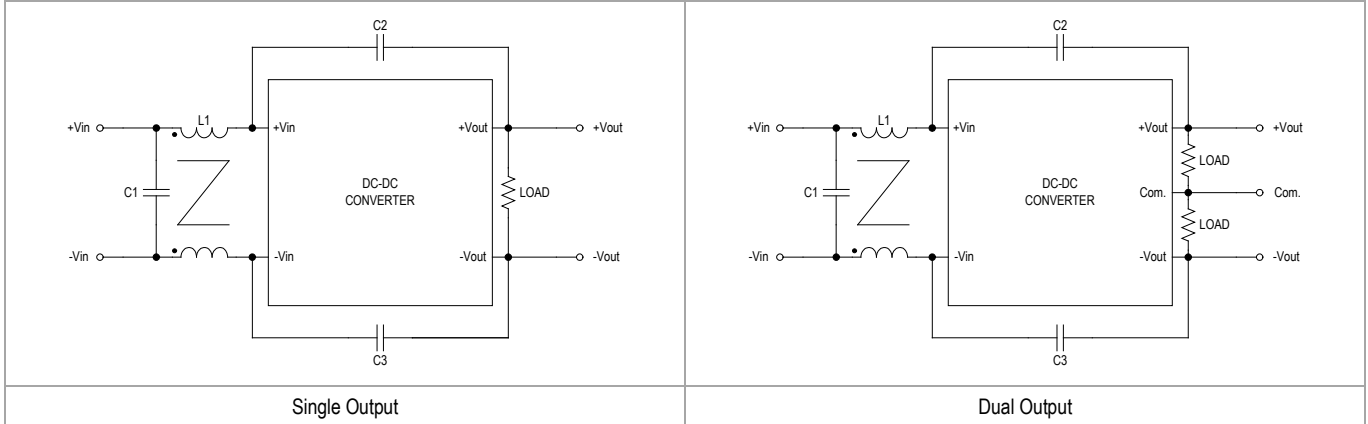


**MINMAX<sup>®</sup>**

MIW10 Series - EMC Notes

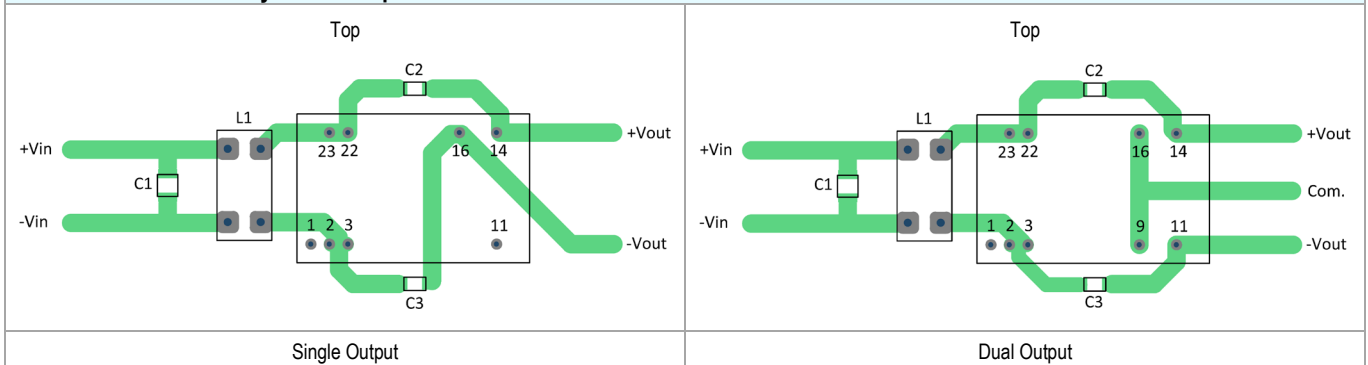
# MIW10 Series - EMC Notes

## External Filter meets Radiated EMI EN 55022, class A



Model	C1	L1	C2, C3
MIW10 Series	4.7 $\mu$ F/100V 1210 X7R	0.4mH/4.5A 7448014501	1500pF/2kV 1206 X7R

## Recommended PCB Layout with Input Filter



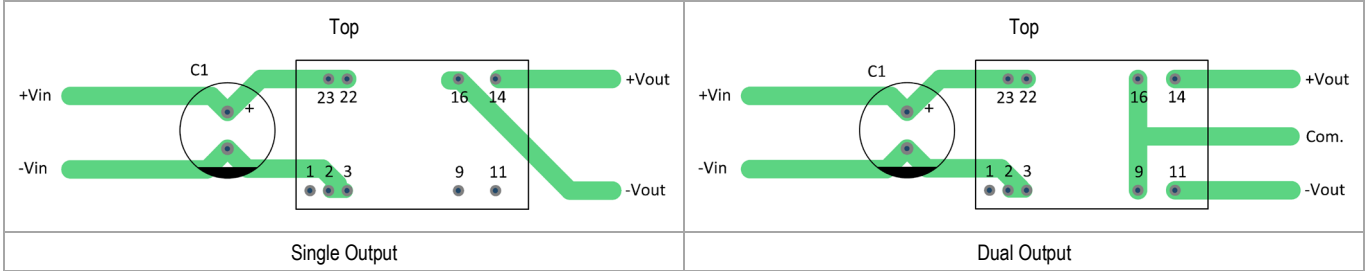
# MIW10 Series - EMC Notes

## External Filter meets EFT & Surge EMS EN 55024, criteria A



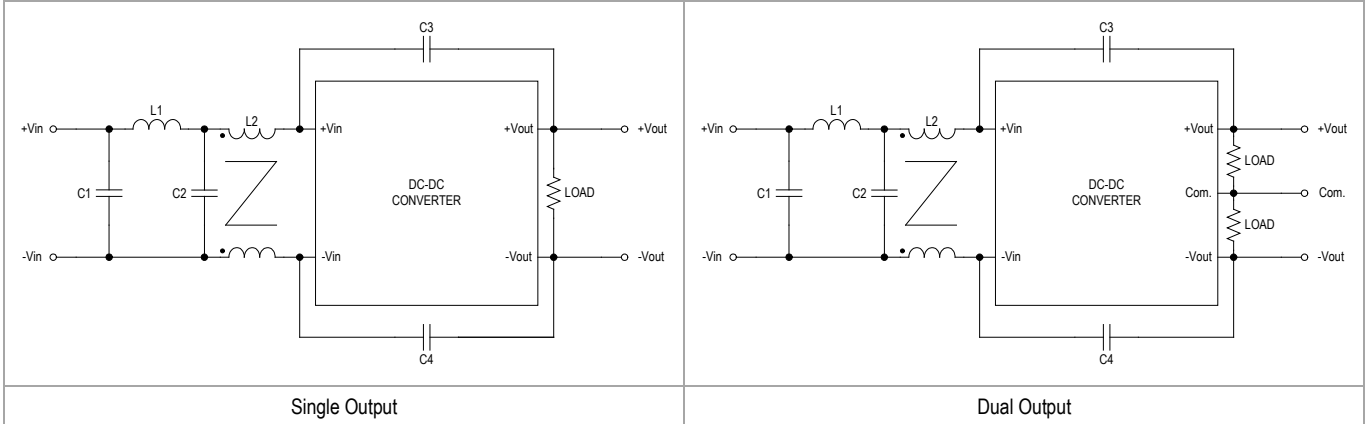
Model	C1
MIW10 Series	220 $\mu$ F/100V CHEMI-CON KYA Series

## Recommended PCB Layout with Input Filter



# MIW10 Series - EMC Notes

## External Filter meets EMI EN 55022, class B



Model	C1, C2	L1	L2	C3, C4
MIW10 Series	4.7 $\mu$ F/100V 1210 X7R	4.7 $\mu$ H/1.82A 744773047	0.4mH/4.5A 7448014501	1500pF/2kV 1206 X7R

## Recommended PCB Layout with Input Filter

